

# APC-1250T

12.1" Panel PC with Intel® Braswell SoC with Touch

Screen HDMI, VGA, 2 LAN, 2 USB, COM, Audio



## Features

- ⦿ 12.1" XGA support 1024 x 768 pixels
- ⦿ Intel® Pentium®/Celeron® Braswell SoC Processor
- ⦿ 5 Wire resistive touch screen
- ⦿ 2 x Gigabit LAN Port, 1 x HDMI, 1 x VGA, 1 x COM, 2 x USB 3.0
- ⦿ 1 x Audio line in, 1 x Audio line out
- ⦿ Panel Mount, Wall Mount, VESA Mount

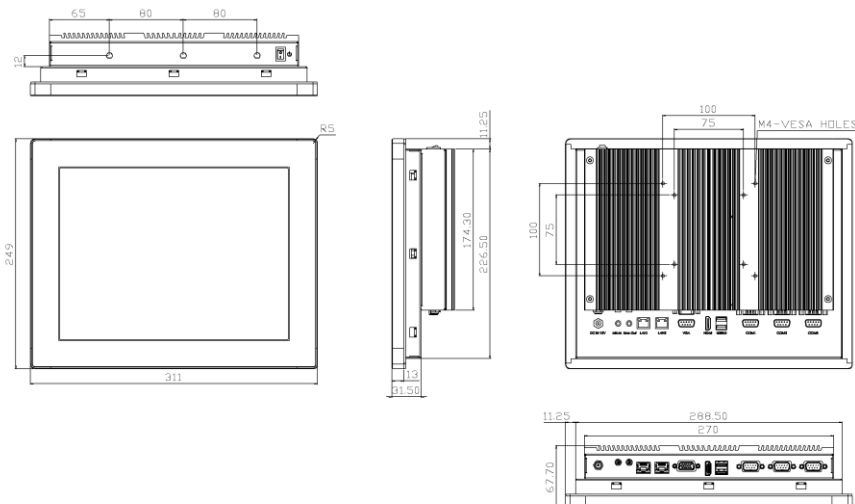
## Introduction

The APC-1250T panel pc computer is an all-in-one and compact system designed around a highly integrated Intel® Graphics Media Accelerator (GMA) chipset motherboard computer which is equipped with a 12.1-inch TFT LCD display. Features an embedded Intel® Pentium®/Celeron® Braswell SoC processor, it offers a compact design for limited space environments to meet the demanding performance requirements of business and industrial applications including factory / warehouse / home automation, digital signage, kiosk, network communication and information terminal.

# Specifications

Display	Display Type	12.1" XGA TFT LCD
	Resolution	1024 x 768 pixels
	Luminance / Brightness	350 cd/m <sup>2</sup> (w/o Touch)
	Backlight MTBF	LED Backlight, 30,000 hrs
	Touch Screen Type	5 Wire Resistive Touch Screen
Main System	CPU	Intel® Pentium®/Celeron® Braswell SoC Celeron® N3150/N3160 Quad core processor
	Chipset	Intel® Braswell SoC integrated
	Memory Slots	Single channel DDR3L 1600 MHz SO-DIMM Support up to 8 GB of system memory
	Onboard Graphic	Intel® HD Graphic 400
	Audio	High Definition Audio
	LAN	2 x Intel® i210 Gigabit Ethernet
Storage	Drive Bay	1 x mSATA SSD bay
I/O Connectors		1 x VGA, 1 x HDMI, 2 x LAN, 1 x COM(RS232/422/485), 2 x USB 3.0
		1 x Audio line in, 1 x Audio line out
		Power switch
Expansion		1 x Mini PCI-Express socket
		2 x COM (optional)
Power Supply		12V or 19V~24V DC-in
Dimension		311mm x 249mm x 67.7mm
Environment		Storage Temperature: -20 ~ 60 °C
		Operating Temperature: 0 ~ 50 °C
		Relative Humidity: 10%~95%, non-condensing

# Dimensions Drawing



## **Optional Accessories**

---

SATA SSD	32GB, 64GB, 128GB
DDR3L RAM	2GB, 4GB, 8GB
Cable	DB9 COM Port cable

---

## **Optional OS Installation**

---

Windows Embedded Standard 7 Runtime(WES7)

---

## **Ordering Information**

---

APC-1250T	12.1" Panel PC Computer
-----------	-------------------------

---

Note: All specifications and photos are subject to change without prior notice.